

## Cooker hob Power



Gas hobs

Code: 7014 032



### DETAILS

Edge/Installation Type      Standard (8 mm Edge)

---

Finish      Foster brushed

---

Material      AISI 304 stainless steel

---

Texture      Brushed in line

---

Supply      220-240 V; 50/60 Hz

---

Dimensions      580 x 500 mm

---

Base size      60cm

---

Heating element      Four burners

---

Built-in hole      560x480 mm

---

Grids Cast iron grids and enamelled burner covers

---

Width 58 cm

---

Total power 9.550 W

---

Auxiliary 1.000 W

---

Semirapid 1.750 W

---

Rapid 2.800 W

---

Double crown 4.000 W

---

Safety Safety valve with quick-acting thermocouple

---

Ignition Electric ignition under knob

---

Gas type Tested for installation with natural gas, LPG nozzle set included.

---

Type Gas Hob

---

## FEATURES

**Under-knob ignition** The utmost freedom of movement with electronic under-knob ignition, a common feature of all models that allows a one-hand ignition of the burner.

---

**Special burners** Many Foster hobs are equipped with special burners, with two or three rings of fire that greatly increase the power delivered and the heated surface. In the DUAL models the two fire crowns also have independent ignition, making these burners perfect for both intensive and delicate cooking.

---

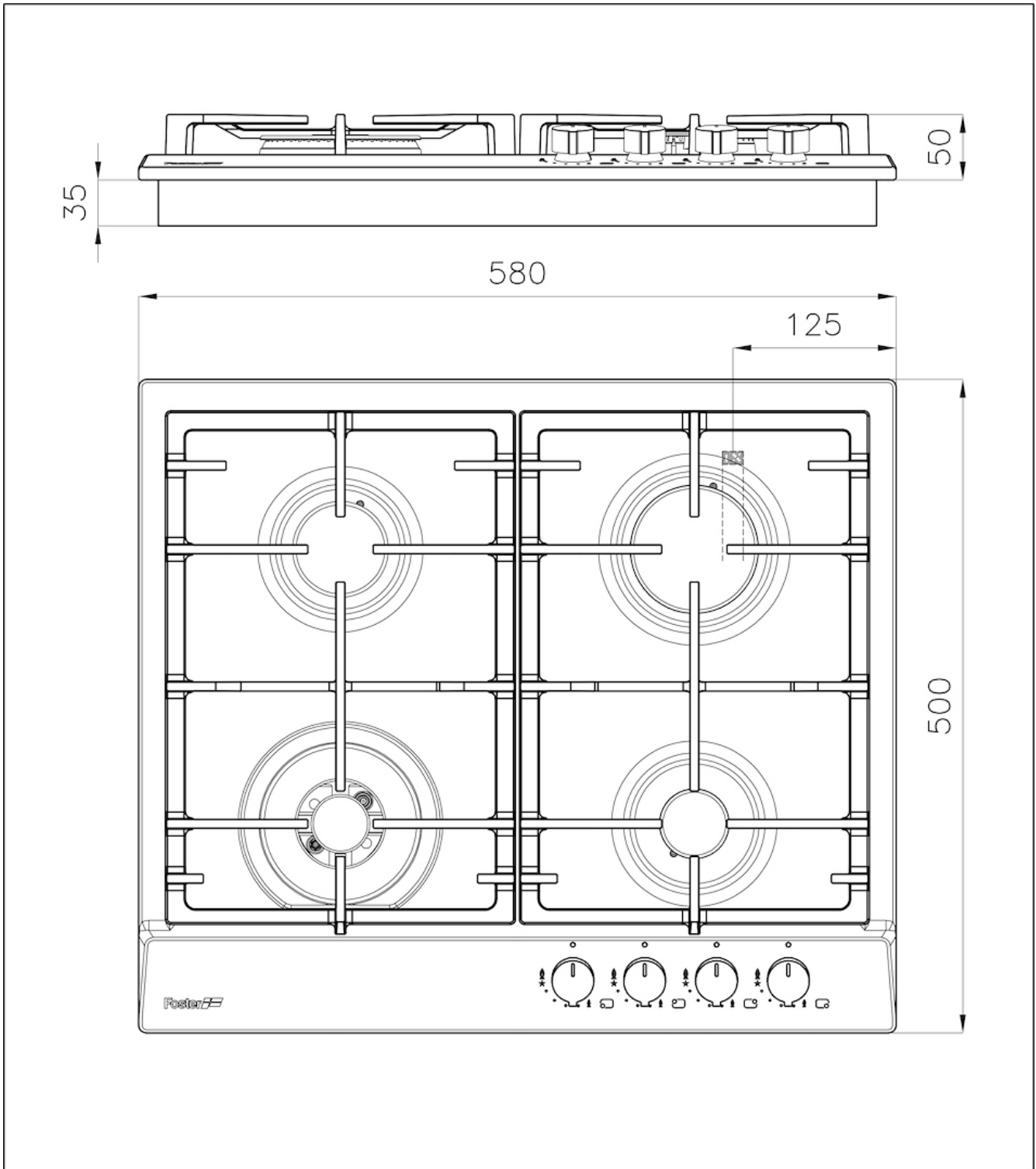
## Safe cooking

All Foster cooker hobs are equipped with safety valves. They shut off the gas supply very quickly if the flame accidentally goes out.

## Cast iron grids

Cast-iron is the ideal material for an hob grid, this due to the manifold properties characterising it: high heat capacity that improves cooking performance; high weight and stability that improve safety; sturdiness that preserves the hob's original aspect over time; easy cleaning.

## TECHNICAL DATA



## GALLERY

